

L & P · 76000 & CSL Series

2-100kΩ, 300-75kHz, 600mW Max. @ 1kHz+ Audio Transformer

PICO
Electronics, Inc.

PRODUCT OVERVIEW

The L & P and 76000 & CSL series are ultra-miniature transformers in an encapsulated package with design layouts as through-hole, insulated leads, or surface mount types. They can operate over a wide temperature range of -55°C to +130°C. Our proprietary materials and methods allow extreme temperatures of vapor phase, IR or other reflow procedures without degrading the high reliability of their physical form and electrical performance.

Typical applications:

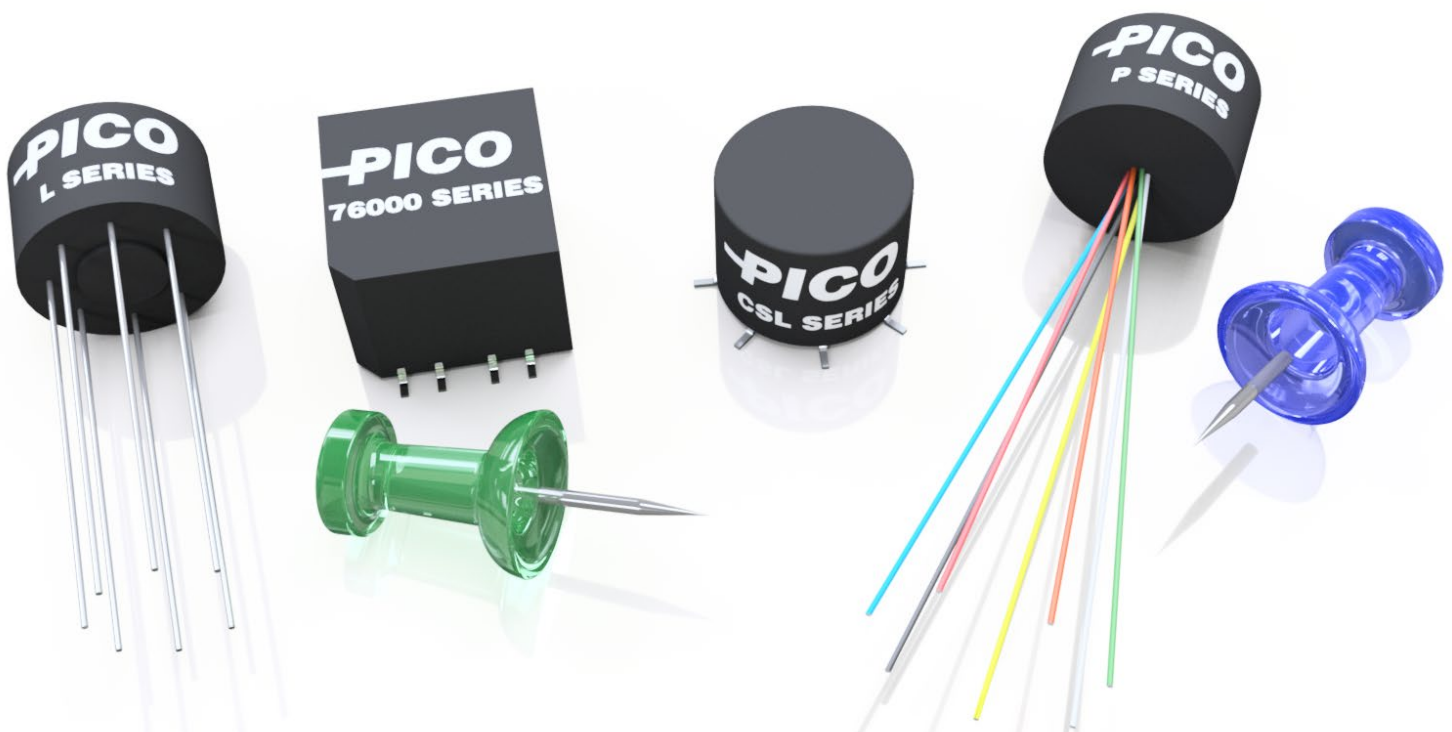
- Sensors
- Radars
- Avionic flight controls
- Airborne systems
- Naval electronics
- Military, aerospace, or commercial aircraft

FEATURES

- Extreme resistance to impact, shock, and vibration
- Manufactured to MIL-PRF-27, Class S, Grade 5
- High reliability for space and mission critical applications
- Ultra miniature in size and minimalistic design
- Design layouts in through-hole with insulated leads option or surface mount types in round/square packages
- Available with magnetic shielding and/or electrostatic shielding
- Certain parts are QPL approved

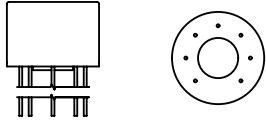
Contact Pico for part number of available options:

- Screening and qualification criteria to flight standard
- Capability to thermal shock up to 300 cycles
- Extra layers of magnetic shielding
- Fully RoHS compliant or with exemption 7(a)
- Modifications to mechanical design and electrical characteristics
- Custom new design and parameters

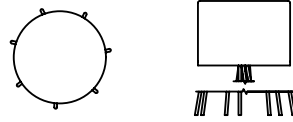


SPECIFICATIONS

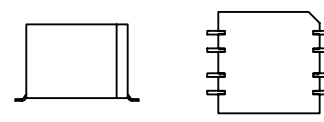
**L SERIES
(STRAIGHT LEADS)**



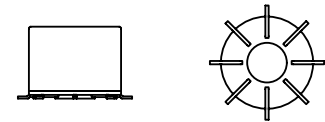
**P SERIES
(INSULATED LEADS)**



**76000 SERIES
(SQUARE SURFACE MOUNT)**



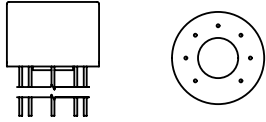
**CSL SERIES
(ROUND SURFACE MOUNT)**



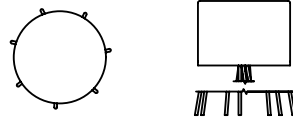
Through Hole		Surface Mount		Primary Impedance [Ω]	Secondary Impedance with Split Windings		Power			Primary Unbalanced DC Current [mA]	Primary DCR [Ω]	Secondary DCR		Turns Ratio PRI:SEC	
Straight	Insulated	Square	Round		Series [Ω]	Parallel [Ω]	1kHz+ [W]	400Hz+ [W]	300Hz+ [W]			Series [Ω]	Parallel [Ω]	Series	Parallel
L-8203	P-9203	76203	CSL203	20 CT	8 CT	2	.6	.4	.3	30.0	2	1.2	.3	1.58:1	3.16:1
L-8205	P-9205	76205	CSL205	20 CT	20 CT	5	.6	.4	.3	30.0	2	2.8	.7	1:1	2:1
L-8210	P-9210	76210	CSL210	32 CT	32 CT	8	.6	.4	.3	23.0	3.3	4.5	1.13	1:1	2:1
L-8215	P-9215	76215	CSL215	40 CT	40 CT	10	.6	.4	.3	21.0	3.7	5	1.25	1:1	2:1
L-8218	P-9218	76218	CSL218	48 CT	16 CT	4	.6	.4	.3	19.0	3.75	3	.75	1.73:1	3.46:1
L-8220	P-9220	76220	CSL220	50 CT	50 CT	12.5	.6	.4	.3	19.0	5	7	1.75	1:1	2:1
L-8225	P-9225	76225	CSL225	80 CT	32 CT	8	.6	.4	.3	15.0	7.5	4.3	1.13	1.58:1	3.16:1
L-8228	P-9228	76228	CSL228	100 CT	40 CT	10	.6	.4	.3	13.0	10.8	5	1.25	1.58:1	3.16:1
L-8230	P-9230	76230	CSL230	100 CT	100 CT	25	.6	.4	.3	13.0	10.8	12	3	1:1	2:1
L-8235	P-9235	76235	CSL235	120 CT	12.8 CT	3.2	.6	.4	.3	12.0	9.3	2.2	.55	3.06:1	6.12:1
L-8240	P-9240	76240	CSL240	120 CT	60 CT	15	.6	.4	.3	12.0	9	7.2	1.8	1.41:1	2.83:1
L-8245	P-9245	76245	CSL245	120 CT	120 CT	30	.6	.4	.3	12.0	11.6	13	3.3	1:1	2:1
L-8250	P-9250	76250	CSL250	150 CT	12 CT	3	.6	.4	.3	11.0	11.2	2.2	55	3.54:1	7.08:1
L-8255	P-9255	76255	CSL255	150 CT	50 CT	12.5	.6	.4	.3	11.0	13	6.8	1.7	1.73:1	3.46:1
L-8260	P-9260	76260	CSL260	150 CT	100 CT	25	.6	.4	.3	11.0	13	11.8	3	1.22:1	2.45:1
L-8265	P-9265	76265	CSL265	150 CT	150 CT	37.5	.6	.4	.3	11.0	12	18.3	4.6	1:1	2:1
L-8270	P-9270	76270	CSL270	150 CT	600 CT	150	.6	.4	.3	11.0	13	75	19	1:2	1:1
L-8275	P-9275	76275	CSL275	200 CT	200 CT	50	.6	.4	.3	10.0	19	21.3	5.4	1:1	2:1
L-8280	P-9280	76280	CSL280	300 CT	12 CT	3	.6	.4	.3	8.0	24	1.7	.43	5:1	10:1
L-8285	P-9285	76285	CSL285	300 CT	50 CT	12.5	.6	.4	.3	8.0	30	6.8	1.7	2.45:1	4.9:1
L-8290	P-9290	76290	CSL290	300 CT	150 CT	37.5	.6	.4	.3	8.0	30	18	4.6	1.41:1	2.83:1
L-8295	P-9295	76295	CSL295	300 CT	300 CT	75	.6	.4	.3	8.0	30	34	8.5	1:1	2:1
L-8300	P-9300	76300	CSL300	300 CT	600 CT	150	.6	.4	.3	8.0	30	60	15	1:1.41	1.41:1
L-8305	P-9305	76305	CSL305	320 CT	12.8 CT	3.2	.6	.4	.3	7.5	31	1.7	.43	5:1	10:1

SPECIFICATIONS

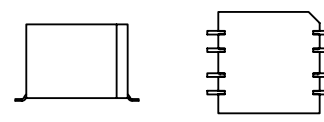
L SERIES (STRAIGHT LEADS)



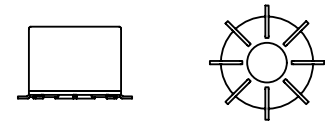
P SERIES (INSULATED LEADS)



76000 SERIES (SQUARE SURFACE MOUNT)



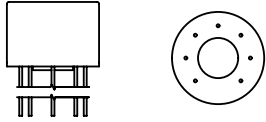
CSL SERIES (ROUND SURFACE MOUNT)



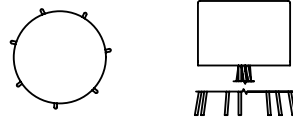
Through Hole		Surface Mount		Primary Impedance [Ω]	Secondary Impedance with Split Windings		Power			Primary Unbalanced DC Current [mA]	Primary DCR [Ω]	Secondary DCR		Turns Ratio PRI:SEC	
Straight	Insulated	Square	Round		Series [Ω]	Parallel [Ω]	1kHz+ [W]	400Hz+ [W]	300Hz+ [W]			Series [Ω]	Parallel [Ω]	Series	Parallel
L-8310	P-9203	76310	CSL310	400 CT	40 CT	10	.6	.4	.3	7.0	41	4.5	1.13	3.16:1	6.32:1
L-8315	P-9205	76315	CSL315	400 CT	120 CT	30	.6	.4	.3	7.0	41	12	3	1.83:1	3.65:1
L-8320	P-9210	76320	CSL320	400 CT	200 CT	50	.6	.4	.3	7.0	41	21.3	5.4	1.41:1	2.83:1
L-8325	P-9215	76325	CSL325	400 CT	400 CT	100	.6	.4	.3	7.0	41	37.5	9.4	1:1	2:1
L-8330	P-9218	76330	CSL330	400 CT	1000 CT	250	.6	.4	.3	7.0	41	96	24	1:1.58	1.26:1
L-8335	P-9220	76335	CSL335	400 CT	2000 CT	500	.6	.4	.3	7.0	41	212	53	1:2.24	1:1.12
L-8340	P-9225	76340	CSL340	400 CT	4000 CT	1000	.6	.4	.3	7.0	41	375	94	1:3.16	1:1.58
L-8342	P-9228	76342	CSL342	500 CT	12.8 CT	3.2	.6	.4	.3	6.0	48	1.7	.43	6.25:1	12.5:1
L-8344	P-9230	76344	CSL344	500 CT	16 CT	4	.6	.4	.3	6.0	48	1.9	.5	5.6:1	11.2:1
L-8345	P-9235	76345	CSL345	500 CT	50 CT	12.5	.6	.4	.3	6.0	39	6.8	1.7	3.16:1	6.32:1
L-8347	P-9240	76347	CSL347	500 CT	150 CT	37.5	.6	.4	.3	6.0	48	18	4.6	1.83:1	3.65:1
L-8350	P-9245	76350	CSL350	500 CT	500 CT	125	.6	.4	.3	6.0	48	54	13.5	1:1	2:1
(1) L-8355	P-9250	76355	CSL355	500 CT	500 CT	-	.6	.4	.3	6.0	48	68	-	1:1	-
L-8360	P-9255	76360	CSL360	500 CT	600 CT	150	.6	.4	.3	6.0	48	59	15	1:1.1	1.83:1
L-8365	P-9260	76365	CSL365	600 CT	12.8 CT	3.2	.6	.4	.3	5.5	53	1.7	.43	6.85:1	13.7:1
L-8367	P-9265	76367	CSL367	600 CT	30 CT	7.5	.6	.4	.3	5.5	53	4.2	1.1	4.47:1	8.94:1
L-8370	P-9270	76370	CSL370	600 CT	48 CT	12	.6	.4	.3	5.5	53	6.8	1.7	3.54:1	7.07:1
L-8375	P-9275	76375	CSL375	600 CT	200 CT	50	.6	.4	.3	5.5	53	21.3	5.3	1.73:1	3.46:1
L-8380	P-9280	76380	CSL380	600 CT	600 CT	150	.6	.4	.3	5.5	57	79	20	1:1	2:1
(1) L-8385	P-9285	76385	CSL385	600 CT	600 CT	-	.6	.4	.3	5.5	53	75	-	1:1	-
L-8387	P-9290	76387	CSL387	600 CT	1200 CT	300	.6	.4	.3	5.5	53	105	26	1:1.41	1.41:1
L-8390	P-9295	76390	CSL390	640 CT	12.8 CT	3.2	.6	.4	.3	5.5	66	1.7	.43	7.07:1	14.14:1
L-8395	P-9300	76395	CSL395	700 CT	100 CT	25	.6	.4	.3	5.0	69	12	3	2.65:1	5.29:1
L-8400	P-9305	76400	CSL400	800 CT	12.8 CT	3.2	.6	.4	.3	5.0	75	1.7	.43	7.9:1	15.8:1

SPECIFICATIONS

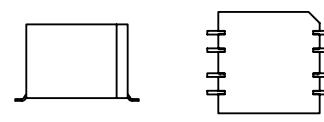
L SERIES (STRAIGHT LEADS)



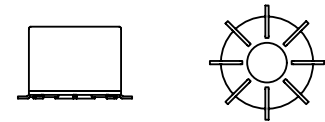
P SERIES (INSULATED LEADS)



76000 SERIES (SQUARE SURFACE MOUNT)



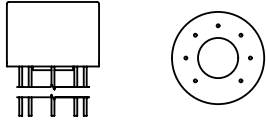
CSL SERIES (ROUND SURFACE MOUNT)



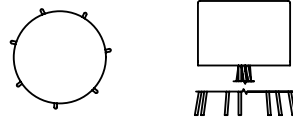
	Through Hole		Surface Mount		Primary Impedance [Ω]	Secondary Impedance with Split Windings		Power			Primary Unbalanced DC Current [mA]	Primary DCR [Ω]	Secondary DCR		Turns Ratio PRI:SEC	
	Straight	Insulated	Square	Round		Series [Ω]	Parallel [Ω]	1kHz+ [W]	400Hz+ [W]	300Hz+ [W]			Series [Ω]	Parallel [Ω]	Series	Parallel
	L-8405	P-9405	76405	CSL405	800 CT	48 CT	12	.6	.4	.3	5.0	75	6.8	1.7	4.08:1	8.16:1
	L-8410	P-9410	76410	CSL410	800 CT	800 CT	200	.6	.4	.3	5.0	75	105	26	1:1	2:1
	L-8415	P-9415	76415	CSL415	900 CT	600 CT	150	.6	.4	.3	4.5	79	75	19	1.22:1	2.45:1
	L-8420	P-9420	76420	CSL420	1000 CT	12 CT	3	.6	.4	.3	4.5	103	1.6	.4	9.13:1	18.3:1
	L-8425	P-9425	76425	CSL425	1000 CT	50 CT	12.5	.6	.4	.3	4.5	103	6.4	1.6	4.47:1	8.94:1
	L-8430	P-9430	76430	CSL430	1000 CT	1000 CT	250	.6	.4	.3	4.5	103	115	28	1:1	2:1
	L-8435	P-9435	76435	CSL435	1060 CT	12.8 CT	3.2	.6	.4	.3	4.0	108	1.7	.43	9.1:1	18.2:1
	L-8440	P-9440	76440	CSL440	1200 CT	12.8 CT	3.2	.6	.4	.3	4.0	113	1.7	.43	9.68:1	19.4:1
	L-8445	P-9445	76445	CSL445	1200 CT	500 CT	125	.6	.4	.3	4.0	113	54	13.5	1.55:1	3.1:1
	L-8450	P-9450	76450	CSL450	1200 CT	1200 CT	300	.6	.4	.3	4.0	113	126	31.6	1:1	2:1
(1)	L-8455	P-9455	76455	CSL455	1200 CT	1200 CT	-	.6	.4	.3	4.0	111	125	-	1:1	-
	L-8460	P-9460	76460	CSL460	1500 CT	12 CT	3	.6	.4	.3	3.5	126	1.6	.4	11.2:1	22.4:1
	L-8465	P-9465	76465	CSL465	1500 CT	500 CT	125	.6	.4	.3	3.5	126	68	17	1.73:1	3.46:1
(1)	L-8470	P-9470	76470	CSL470	1500 CT	600 CT	-	.6	.4	.3	3.5	126	94	-	1.58:1	-
(1)	L-8475	P-9475	76475	CSL475	1500 CT	1500 CT	-	.6	.4	.3	3.5	126	176	-	1:1	-
	L-8480	P-9480	76480	CSL480	1600 CT	12.8 CT	3.2	.6	.4	.3	3.5	130	1.7	.43	11.2:1	22.4:1
	L-8483	P-9483	76483	CSL483	2000 CT	8 CT	2	.6	.4	.3	3.0	210	1.2	.3	15.8:1	31.6:1
	L-8485	P-9485	76485	CSL485	2000 CT	2000 CT	500	.6	.4	.3	3.0	198	218	55	1:1	2:1
(1)	L-8490	P-9490	76490	CSL490	2000 CT	2000 CT	-	.6	.4	.3	3.0	198	218	-	1:1	-
	L-8495	P-9495	76495	CSL495	2000 CT	8000 CT	2000	.6	.4	.3	3.0	198	850	213	1:2	1:1
	L-8497	P-9497	76497	CSL497	2500 CT	2500 CT	625	.6	.4	.3	2.5	220	305	76	1:1	2:1
	L-8500	P-9500	76500	CSL500	3000 CT	3000 CT	750	.6	.4	.3	2.5	243	335	84	1:1	2:1
(1)	L-8505	P-9505	76505	CSL505	3000 CT	3000 CT	-	.6	.4	.3	2.5	304	335	-	1:1	-
	L-8510	P-9510	76510	CSL510	3600 CT	3600 CT	900	.6	.4	.3	2.5	330	366	92	1:1	2:1

SPECIFICATIONS

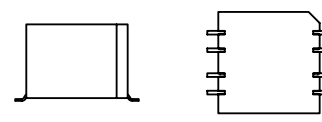
L SERIES (STRAIGHT LEADS)



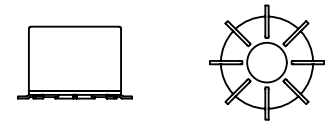
P SERIES (INSULATED LEADS)



76000 SERIES (SQUARE SURFACE MOUNT)



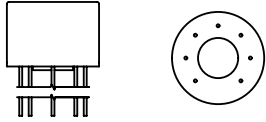
CSL SERIES (ROUND SURFACE MOUNT)



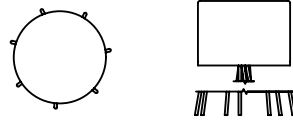
	Through Hole		Surface Mount		Primary Impedance [Ω]	Secondary Impedance with Split Windings		Power			Primary Unbalanced DC Current [mA]	Primary DCR [Ω]	Secondary DCR		Turns Ratio PRI:SEC	
	Straight	Insulated	Square	Round		Series [Ω]	Parallel [Ω]	1kHz+ [W]	400Hz+ [W]	300Hz+ [W]			Series [Ω]	Parallel [Ω]	Series	Parallel
	L-8512	P-9512	76512	CSL512	4000 CT	16 CT	4	.6	.4	.3	2.0	350	3	.75	15.8:1	31.6:1
	L-8514	P-9514	76514	CSL514	4000 CT	600 CT	150	.6	.4	.3	2.0	350	76	19	2.58:1	5.16:1
	L-8515	P-9515	76515	CSL515	4000 CT	1000 CT	250	.6	.4	.3	2.0	350	115	29	2:1	4:1
(1)	L-8520	P-9520	76520	CSL520	4000 CT	8000 CT	-	.6	.4	.3	2.0	350	1062	-	1:1.41	-
	L-8525	P-9525	76525	CSL525	5000 CT	500 CT	125	.6	.4	.3	2.0	350	67	17	3.16:1	6.32:1
	L-8530	P-9530	76530	CSL530	5000 CT	5000 CT	1250	.6	.4	.3	2.0	390	538	135	1:1	2:1
	L-8535	P-9535	76535	CSL535	7500 CT	50 CT	12.5	.6	.4	.3	1.5	600	7	1.75	12.2:1	24.5:1
	L-8540	P-9540	76540	CSL540	7500 CT	100 CT	25	.6	.4	.3	1.5	600	12	3	8.66:1	17.3:1
	L-8545	P-9545	76545	CSL545	7500 CT	600 CT	150	.6	.4	.3	1.5	600	78	19.5	3.54:1	7.07:1
	L-8550	P-9550	76550	CSL550	7500 CT	2500 CT	625	.6	.4	.3	1.5	600	305	77	1.73:1	3.46:1
(1)	L-8555	P-9555	76555	CSL555	7500 CT	7500 CT	-	.6	.4	.3	1.5	750	828	-	1:1	-
	L-8560	P-9560	76560	CSL560	8000 CT	12.8 CT	3.2	.6	.4	.3	1.5	750	1.7	.43	25:1	50:1
	L-8565	P-9565	76565	CSL565	8000 CT	1000 CT	250	.6	.4	.3	1.5	750	115	29	2.83:1	5.66:1
(1)	L-8570	P-9570	76570	CSL570	8000 CT	1200 CT	-	.6	.4	.3	1.5	750	158	-	2.58:1	-
(1)	L-8575	P-9575	76575	CSL575	9000 CT	9000 CT	-	.6	.4	.3	1.4	796	1100	-	1:1	-
	L-8580	P-9580	76580	CSL580	10,000 CT	12.8 CT	3.2	.6	.4	.3	1.4	1048	1.7	.43	28:1	56:1
	L-8585	P-9585	76585	CSL585	10,000 CT	16 CT	4	.6	.4	.3	1.4	1048	3	.75	25:1	50:1
	L-8590	P-9590	76590	CSL590	10,000 CT	100 CT	25	.6	.4	.3	1.4	839	12	3	10:1	20:1
	L-8595	P-9595	76595	CSL595	10,000 CT	200 CT	50	.6	.4	.3	1.4	839	27	6.7	7.07:1	14.14:1
	L-8600	P-9600	76600	CSL600	10,000 CT	500 CT	125	.6	.4	.3	1.4	850	67	17	4.47:1	8.94:1
	L-8605	P-9605	76605	CSL605	10,000 CT	600 CT	150	.6	.4	.3	1.4	850	74	18.5	4.08:1	8.16:1
	L-8610	P-9610	76610	CSL610	10,000 CT	1000 CT	250	.6	.4	.3	1.4	850	115	29	3.16:1	6.32:1
	L-8615	P-9615	76615	CSL615	10,000 CT	1200 CT	300	.6	.4	.3	1.4	850	158	39.5	2.89:1	5.77:1
	L-8620	P-9620	76620	CSL620	10,000 CT	1500 CT	375	.6	.4	.3	1.4	850	177	44	2.58:1	5.16:1

SPECIFICATIONS

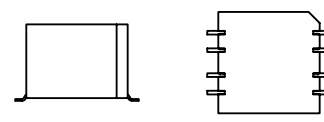
L SERIES (STRAIGHT LEADS)



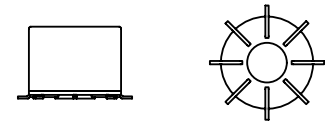
P SERIES (INSULATED LEADS)



76000 SERIES (SQUARE SURFACE MOUNT)



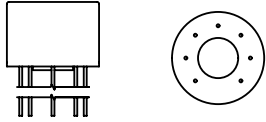
CSL SERIES (ROUND SURFACE MOUNT)



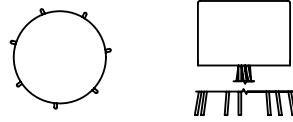
	Through Hole		Surface Mount		Primary Impedance [Ω]	Secondary Impedance with Split Windings		Power			Primary Unbalanced DC Current [mA]	Primary DCR [Ω]	Secondary DCR		Turns Ratio PRI:SEC	
	Straight	Insulated	Square	Round		Series [Ω]	Parallel [Ω]	1kHz+ [W]	400Hz+ [W]	300Hz+ [W]			Series [Ω]	Parallel [Ω]	Series	Parallel
	L-8625	P-9625	76625	CSL625	10,000 CT	2000 CT	500	.6	.4	.3	1.4	850	255	64	2.24:1	4.47:1
	L-8630	P-9630	76630	CSL630	10,000 CT	5000 CT	1250	.6	.4	.3	1.4	850	630	158	1.41:1	2.83:1
	L-8635	P-9635	76635	CSL635	10,000 CT	7500 CT	1875	.6	.4	.3	1.4	850	772	193	1.15:1	2.3:1
	L-8640	P-9640	76640	CSL640	10,000 CT	10,000 CT	2500	.6	.4	.3	1.4	866	1215	304	1:1	2:1
(1)	L-8645	P-9645	76645	CSL645	10,000 CT	10,000 CT	-	.6	.4	.3	1.4	1060	1215	-	1:1	-
	L-8650	P-9650	76650	CSL650	15,000 CT	400 CT	100	.6	.4	.3	1.0	1305	47	12	6.12:1	12.24:1
	L-8652	P-9652	76652	CSL652	15,000 CT	500 CT	125	.6	.4	.3	1.0	1305	53	13	5.48:1	10.95:1
	L-8655	P-9655	76655	CSL655	15,000 CT	600 CT	150	.6	.4	.3	1.0	1305	72.5	18	5:1	10:1
(1)	L-8660	P-9660	76660	CSL660	15,000 CT	10,000 CT	2500	.6	.4	.3	1.0	1305	1215	304	1.22:1	2.45:1
	L-8665	P-9665	76665	CSL665	15,000 CT	15,000 CT	-	.6	.4	.3	1.0	1305	1800	-	1:1	-
	L-8670	P-9670	76670	CSL670	15,000 CT	15,000 CT	3750	.6	.4	.3	1.0	1305	1800	450	1:1	2:1
	L-8675	P-9675	76675	CSL675	16,000 CT	1000 CT	250	.6	.4	.3	1.0	1343	115	29	4:1	8:1
	L-8680	P-9680	76680	CSL680	20,000 CT	500 CT	125	.5	.4	.3	1.0	1560	68	17	6.33:1	12.65:1
	L-8685	P-9685	76685	CSL685	20,000 CT	600 CT	150	.5	.4	.3	1.0	1560	75	19	5.77:1	11.55:1
	L-8690	P-9690	76690	CSL690	20,000 CT	800 CT	200	.5	.4	.3	1.0	1560	108	27	5:1	10:1
	L-8695	P-9695	76695	CSL695	20,000 CT	1000 CT	250	.5	.4	.3	1.0	1560	121	30.5	4.47:1	8.94:1
	L-8700	P-9700	76700	CSL700	20,000 CT	5000 CT	1250	.5	.4	.3	1.0	1560	672	168	2:1	4:1
	L-8705	P-9705	76705	CSL705	20,000 CT	10,000 CT	2500	.5	.4	.3	1.0	1560	1520	380	1.41:1	2.83:1
(1)	L-8710	P-9710	76710	CSL710	20,000 CT	20,000 CT	-	.5	.4	.3	1.0	1560	2727	682	1:1	-
	L-8715	P-9715	76715	CSL715	25,000 CT	500 CT	125	.4	.4	.3	0.8	2170	68	17	7.07:1	14.14:1
	L-8720	P-9720	76720	CSL720	25,000 CT	1000 CT	250	.4	.4	.3	0.8	2170	120	30	5:1	10:1
	L-8725	P-9725	76725	CSL725	30,000 CT	50 CT	12.5	.33	.33	.3	0.8	2400	7	1.75	24.5:1	49:1
	L-8730	P-9730	76730	CSL730	30,000 CT	1200 CT	300	.33	.33	.3	0.8	2400	156	39	5:1	10:1
	L-8732	P-9732	76732	CSL732	30,000 CT	500 CT	125	.33	.33	.3	0.8	2400	68	17	7.75:1	15.5:1

SPECIFICATIONS

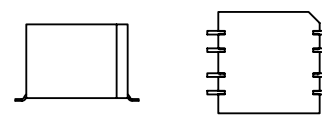
L SERIES (STRAIGHT LEADS)



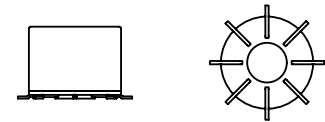
P SERIES (INSULATED LEADS)



76000 SERIES (SQUARE SURFACE MOUNT)



CSL SERIES (ROUND SURFACE MOUNT)



	Through Hole		Surface Mount		Primary Impedance [Ω]	Secondary Impedance with Split Windings		Power			Primary Unbalanced DC Current [mA]	Primary DCR [Ω]	Secondary DCR		Turns Ratio PRI:SEC	
	Straight	Insulated	Square	Round		Series [Ω]	Parallel [Ω]	1kHz+ [W]	400Hz+ [W]	300Hz+ [W]			Series [Ω]	Parallel [Ω]	Series	Parallel
	L-8734	P-9734	76734	CSL734	30,000 CT	200 CT	50	.33	.33	.3	0.8	2400	29	7.2	12.25:1	24.5:1
	L-8735	P-9735	76735	CSL735	30,000 CT	5000 CT	1250	.33	.33	.3	0.8	2400	673	169	2.45:1	4.9:1
	L-8740	P-9740	76740	CSL740	30,000 CT	10,000 CT	2500	.33	.33	.3	0.8	2400	1520	380	1.73:1	3.46:1
(1)	L-8745	P-9745	76745	CSL745	30,000 CT	30,000 CT	-	.33	.33	.3	0.8	3000	3310	-	1:1	-
	L-8750	P-9750	76750	CSL750	40,000 CT	400 CT	100	.25	.25	.25	0.7	3400	57	14.3	10:1	20:1
	L-8755	P-9755	76755	CSL755	40,000 CT	2000 CT	500	.25	.25	.25	0.7	3400	268	67	4.47:1	8.94:1
	L-8760	P-9760	76760	CSL760	40,000 CT	4000 CT	1000	.25	.25	.25	0.7	3400	476	119	3.16:1	6.32:1
	L-8765	P-9765	76765	CSL765	40,000 CT	20,000 CT	5000	.25	.25	.25	0.7	3400	2700	675	1.41:1	2.83:1
(1)	L-8770	P-9770	76770	CSL770	40,000 CT	40,000 CT	-	.25	.25	.25	0.7	3400	4750	-	1:1	-
	L-8775	P-9775	76775	CSL775	50,000 CT	200 CT	50	.2	.2	.2	0.6	4850	27	6.7	15.8:1	31.6:1
	L-8777	P-9777	76777	CSL777	50,000 CT	500 CT	125	.2	.2	.2	0.6	4850	68	17	10:1	20:1
	L-8779	P-9779	76779	CSL779	50,000 CT	600 CT	150	.2	.2	.2	0.6	4850	75	18.5	9.13:1	18.26:1
	L-8780	P-9780	76780	CSL780	60,000 CT	15,000 CT	3750	.16	.16	.16	0.5	5275	2250	563	2:1	4:1
	L-8785	P-9785	76785	CSL785	62,500 CT	50 CT	12.5	.16	.16	.16	0.5	5445	8.7	2.2	35.4:1	70.7:1
	L-8787	P-9787	76787	CSL787	80,000 CT	15,000 CT	3750	.12	.12	.12	0.4	6130	2250	563	2.3:1	4.6:1
	L-8790	P-9790	76790	CSL790	90,000 CT	10,000 CT	2500	.1	.1	.1	0.4	8140	1520	380	3:1	6:1
	L-8795	P-9795	76795	CSL795	95,000 CT	15,000 CT	3750	.1	.1	.1	0.4	8400	2250	563	2.52:1	5.03:1
	L-8800	P-9800	76800	CSL800	100,000 CT	60 CT	15	.1	.1	.1	0.4	8750	9.2	2.3	40.8:1	81.6:1
	L-8805	P-9805	76805	CSL805	100,000 CT	100 CT	25	.1	.1	.1	0.4	8750	15	3.8	31.6:1	63.2:1
	L-8810	P-9810	76810	CSL810	100,000 CT	500 CT	125	.1	.1	.1	0.4	8750	68	17	14.1:1	28.3:1
	L-8815	P-9815	76815	CSL815	100,000 CT	10,000 CT	2500	.1	.1	.1	0.4	8750	1535	385	3.16:1	6.32:1

Note 1: Includes electrostatic shield

SPECIFICATIONS

GENERAL

Parameter	Condition	Min.	Typ.	Max.	Units
Dielectric Strength	60Hz	-	200	-	V _{RMS}
Insulation Resistance	300VDC	10	-	-	GΩ
Distortion	400, 1kHz @ Rated Power	-	-	5	%
Frequency Response	300 - 75 kHz @ 1mW	-3	-	3	dB
Operating Temperature Range	Ambient with temperature rise	-55	-	+130	°C
Storage Temperature Range	Ambient	-55	-	+105	°C
Size	P Series - Diameter x Height	0.5 x 0.35 (12.7 x 8.89)			inches (mm)
	L Series - Diameter x Height	0.5 x 0.35 (12.7 x 8.89)			
	CSL Series - Diameter x Height	0.5 x 0.39 (12.7 x 9.906)			
	76000 Series - Length x Width x Height	0.55 x 0.55 x 0.415 (13.97 x 13.97 x 10.541)			
Weight	P, L, CSL & 76000 Series	-	5	-	grams
Case	L, P & CSL Series	Epoxy Insulated Metal			
	76000 Series	Glass Reinforced Polymer			
Potting	Vacuum Impregnated Epoxy				
Box Packaging (L x W x H)	L & P Series	10.5 x 6.42 x 0.79 (266.7 x 163.068 x 20.066)			inches (mm)
Tube Packaging (W x H x L)	76000 & CSL Series	0.93 x 0.58 x 20.0 (23.724 x 14.732 x 508)			
Tape & Reel Packaging	Upon request				
Moisture Sensitivity Level	Surface Mount only	Level 3			

OPTIONAL DESIGN CRITERIA

Test	Standard	Description
Vibration	MIL-STD-202	Method 204, Vibration, High Frequency
Shock	MIL-STD-202	Method 213, Shock (Specified Pulse)
Immersion	MIL-STD-202	Method 104, Immersion
Moisture Resistance	MIL-STD-202	Method 106, Moisture Resistance
Flammability	MIL-STD-202	Method 111, Flammability (External Flame)
Thermal Shock	MIL-STD-202	Method 107, Thermal Shock

OPTIONAL SCREENING AND QUALIFICATION

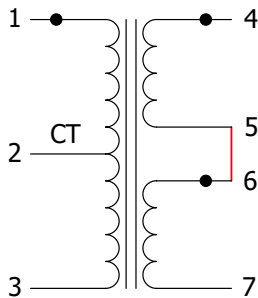
Standard	Screening & Qualification	Test ⁽²⁾
MIL-PRF-27	a.) Group A inspection Level-T - Table VII b.) Qualification inspection, Grade 5 - Table V	I. Thermal Shock II. Vibration III. Burn-in IV. Induced Voltage V. Shock VI. Dielectric Withstanding Voltage (at reduced pressure) VII. Insulation Resistance VIII. Electrical Characteristics IX. Visual and Mechanical Examination (External) X. Life XI. Radiographic Inspection
MIL-STD-981	a.) Group A screening tests - Table VI b.) Group B tests - Table XII, Class S	
EEE-INST-002, Section M1	a.) Magnetics Screening Req. - Table 2 b.) Magnetics Part Qual. - Table 3	

Note 2: Screening and qualification tests are not limited to the options in the chart above. Each standard may also be stringent or exclude certain tests from one another. Please contact Pico for specific application needs and for Pico part number.

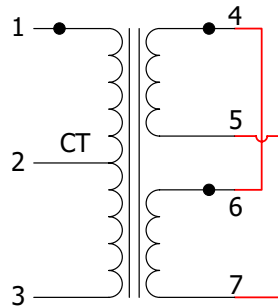
ELECTRICAL SCHEMATIC

L SERIES - THROUGH HOLE

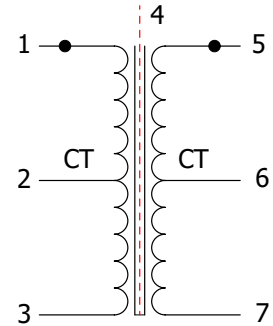
**SPLIT SECONDARIES
SERIES CONNECTION**



**SPLIT SECONDARIES
PARALLEL CONNECTION**

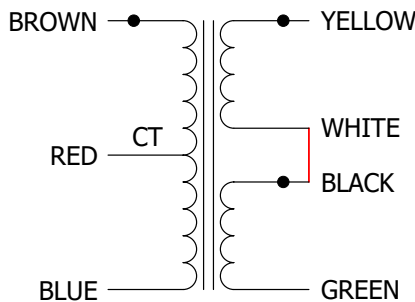


ELECTROSTATIC SHIELD

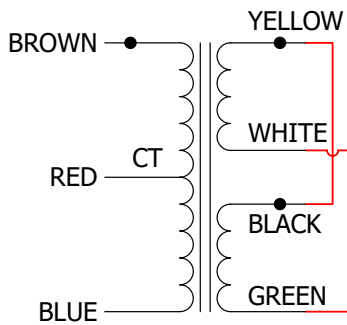


P SERIES - INSULATED LEADS

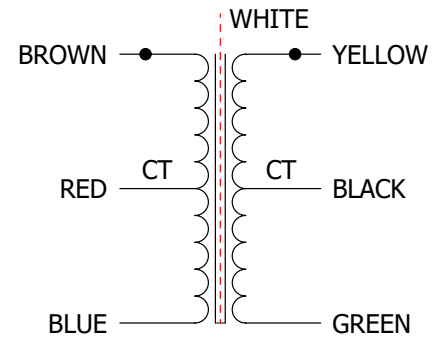
**SPLIT SECONDARIES
SERIES CONNECTION**



**SPLIT SECONDARIES
PARALLEL CONNECTION**

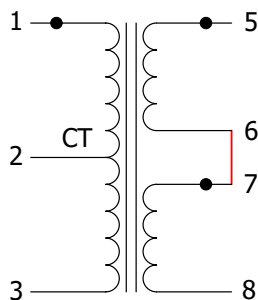


ELECTROSTATIC SHIELD

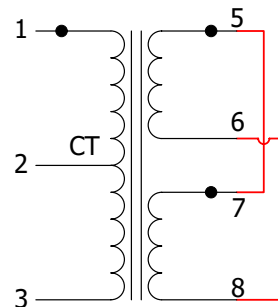


76000 & CSL SERIES - SURFACE MOUNT

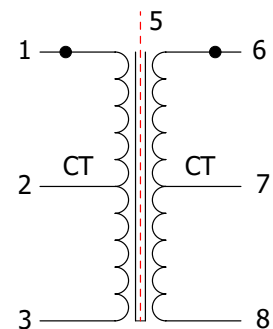
**SPLIT SECONDARIES
SERIES CONNECTION**



**SPLIT SECONDARIES
PARALLEL CONNECTION**



ELECTROSTATIC SHIELD

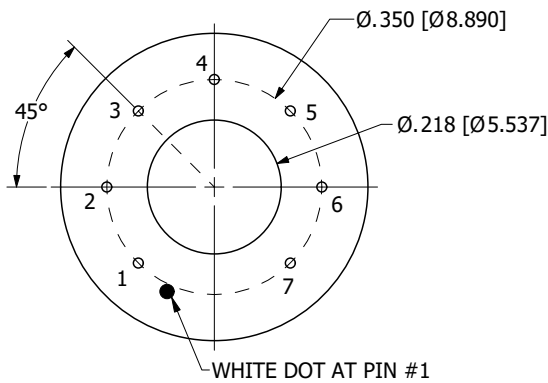
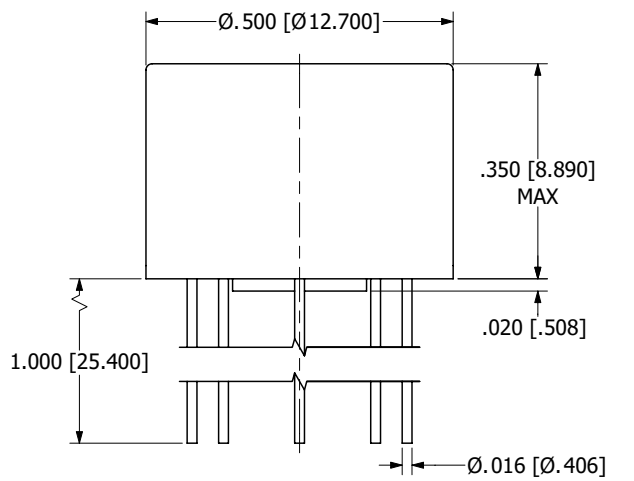


NOTES

- a. ANY TERMINALS NOT SHOWN HERE MAY BE USED FOR MECHANICAL STABILITY ON THE PCB ONLY, AS THEY DO NOT HAVE ANY ELECTRICAL CONNECTION.
- b. CT STANDS FOR "CENTER-TAP", WHERE THE TOTAL NUMBER OF TURNS IS EVENLY SPLIT BETWEEN THE TOP HALF AND BOTTOM HALF OF A COMPLETE WINDING.

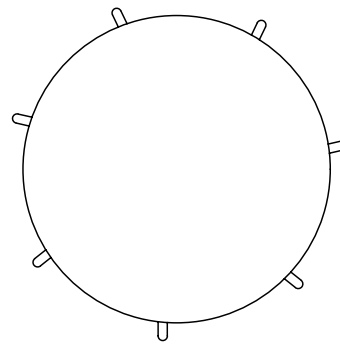
MECHANICAL DRAWINGS

L SERIES - THROUGH HOLE

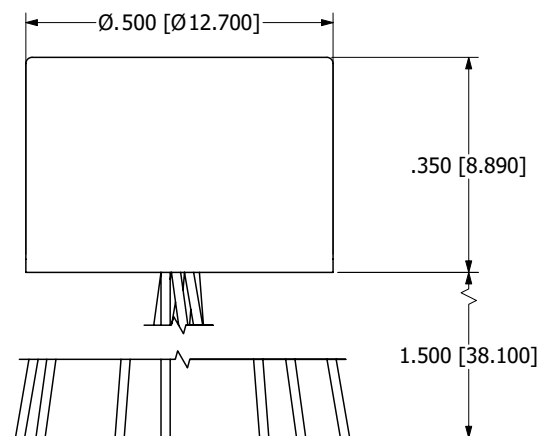


BOTTOM VIEW

P SERIES - INSULATED LEADS

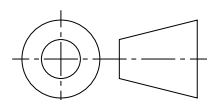


TOP VIEW



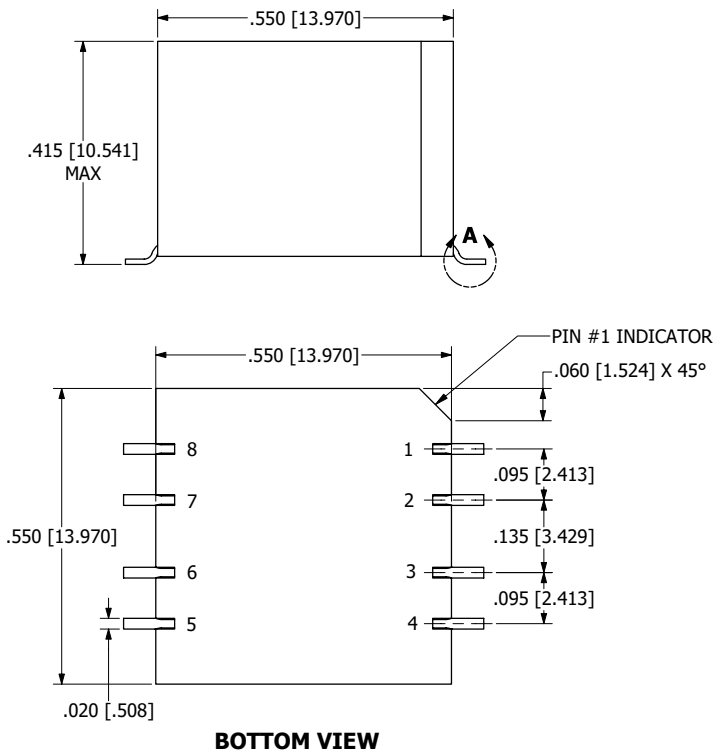
NOTES

- a. ALL DIMENSIONS ARE IN INCHES, [] = MM
- b. TERMINALS ARE CLOCKWISE FROM PIN #1

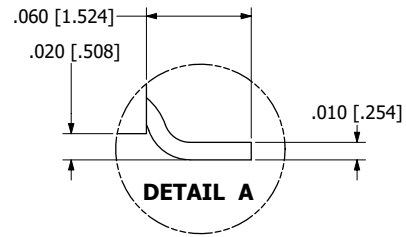


MECHANICAL DRAWINGS

76000 SERIES - SQUARE SURFACE MOUNT



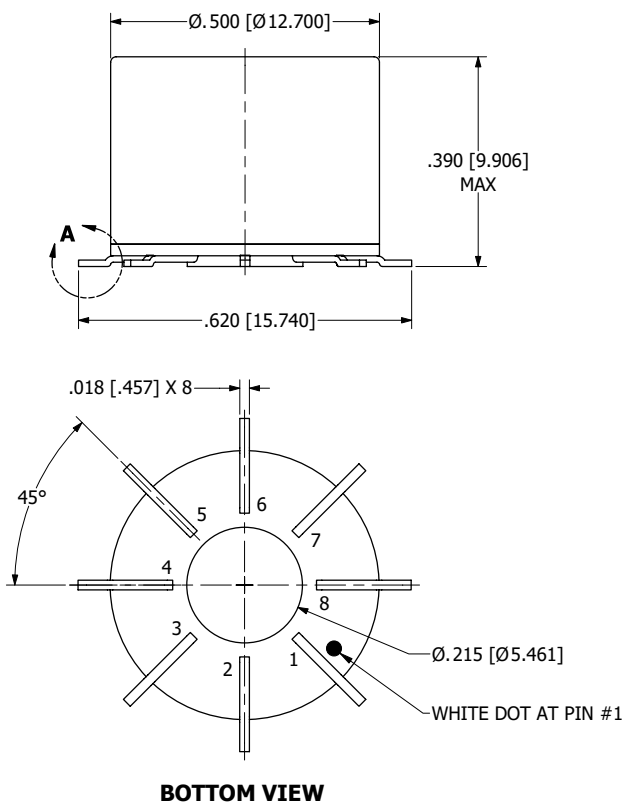
LEAD DETAILS



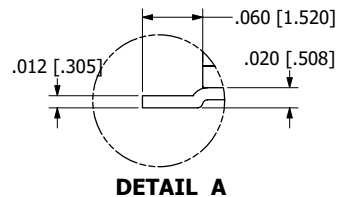
NOTES

- a. ALL DIMENSIONS ARE IN INCHES, [] = MM
- b. TERMINALS ARE CLOCKWISE FROM PIN #1
- c. PIN #4 HAS NO CONNECTION

CSL SERIES - ROUND SURFACE MOUNT

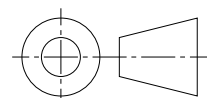


LEAD DETAILS



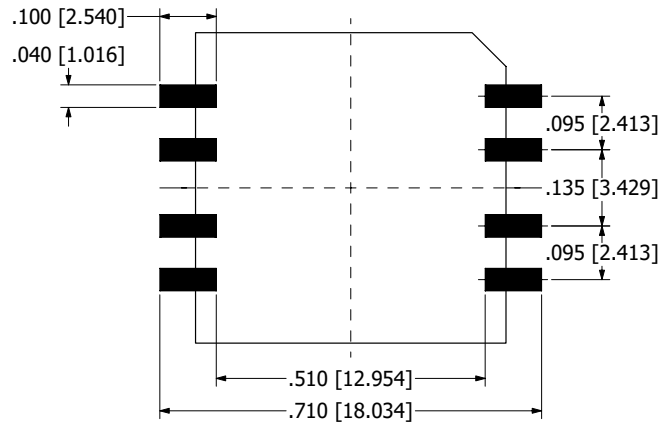
NOTES

- a. ALL DIMENSIONS ARE IN INCHES, [] = MM
- b. TERMINALS ARE CLOCKWISE FROM PIN #1
- c. PIN #4 HAS NO CONNECTION

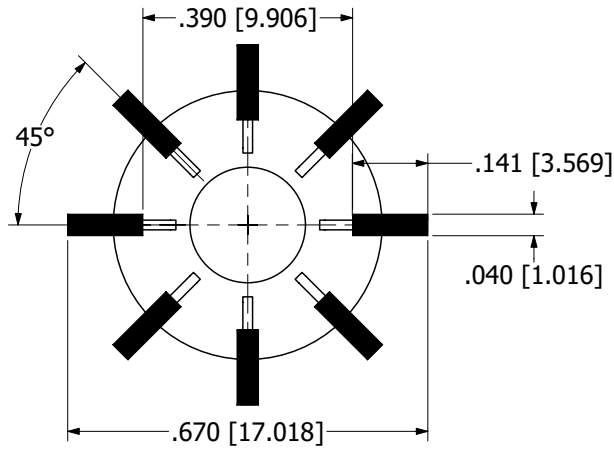


RECOMMENDED LAND PATTERN DIMENSIONS

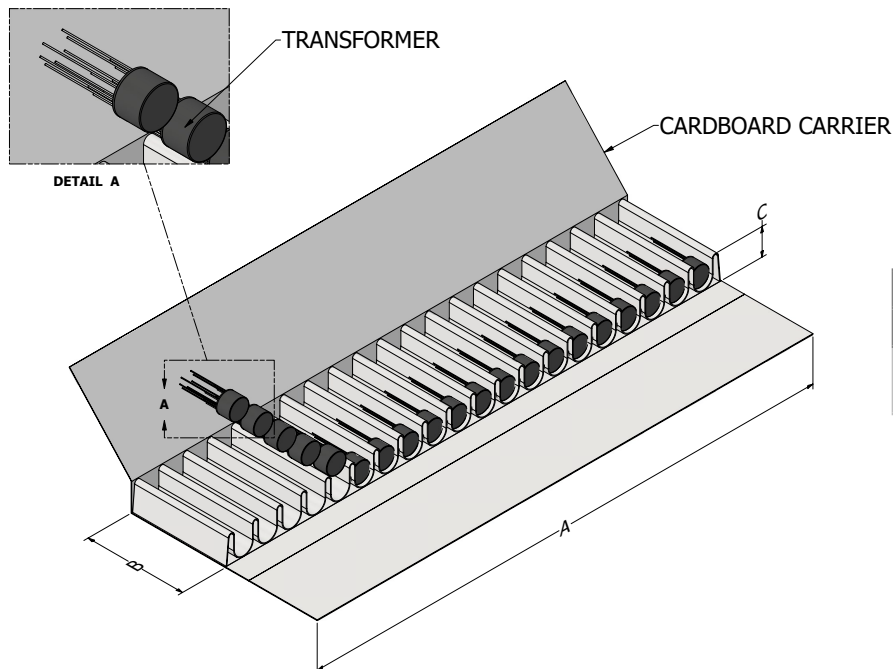
SERIES 76000 - SQUARE SURFACE MOUNT



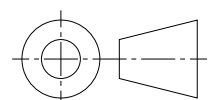
SERIES CSL - ROUND SURFACE MOUNT



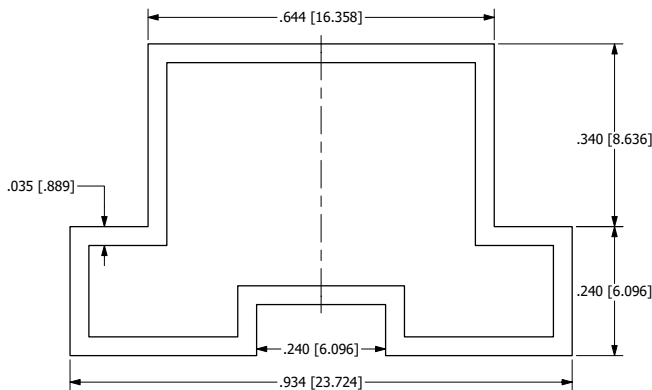
BOX PACKAGING - L & P SERIES



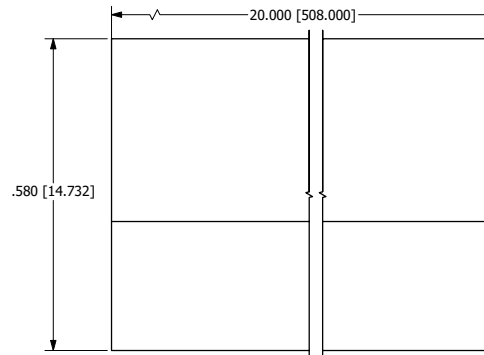
Dimension		
A	B	C
10.5	6.42	0.79
[266.7]	[163.068]	[20.066]



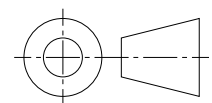
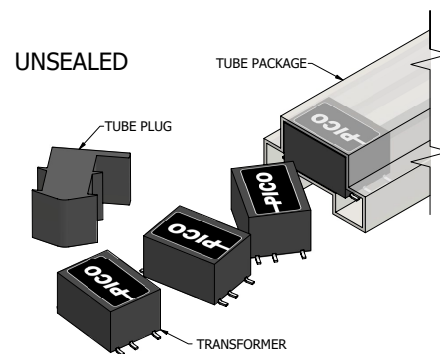
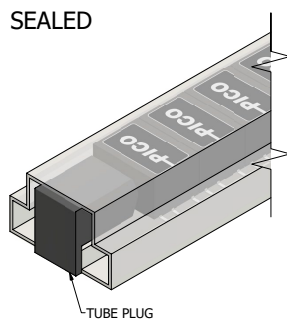
TUBE PACKAGING - 76000 & CSL SERIES



PLAN VIEW



ELEVATION VIEW



Pico warrants each product manufactured by us and sold by us or an authorized representative, to be free from defects in material and workmanship. If properly used, it will perform within its applicable specifications for a period of one year after original shipment. Pico's obligation under this guarantee is limited to repairing or replacing our product to the original purchaser. This warranty is in lieu of all other warranties, express or implied and constitutes fulfillment of our obligations to the purchaser. We do not guarantee that the products can be used for a particular purpose other than those solely covered by the product's specifications. Pico must be notified if the product must meet particular certifications and/or standards. We assume no liability, in any event, for consequential damages, for anticipated or lost profits, incidental damages or loss of time or other losses incurred by the purchaser or any third party in connection with products covered by this warranty or otherwise. The purchaser will indemnify and hold Pico harmless for any damages, losses, costs, etc. from usage not within the product's specifications. Pico must be consulted before usage of its products in a nuclear, radioactive or space environment.

We reserve the right to discontinue products without notice, We reserve the right to make modifications to any existing catalog products without notice, at any time, without the obligation to modify units previously sold.